



ATKORE'S GUIDE TO SAVINGS WITH COPE AND US-TRAY CABLE TRAY

I-BEAM AND C-CHANNEL ALTERNATIVE SUPPORT METHODS



Significantly lower the total cost of your project by reducing the number of supports required

Choosing the right cable tray manufacturer is a key decision when it comes to the quality and overall cost of your cable tray installation. Atkore's US Tray and Cope team of engineers have extensively tested alternative support methods to NEMA VE-2 load requirements for fitting supports in order to achieve the lowest possible installation cost.

Innovative Solutions with Local Expertise

In addition to the labor and material savings these alternative supporting methods provide, our cable-tray systems are manufactured exclusively in the US, offering quick delivery. Our team of technical cable tray experts are available to assist with the layout of your system as part of our complimentary take-off and VA/VE services.

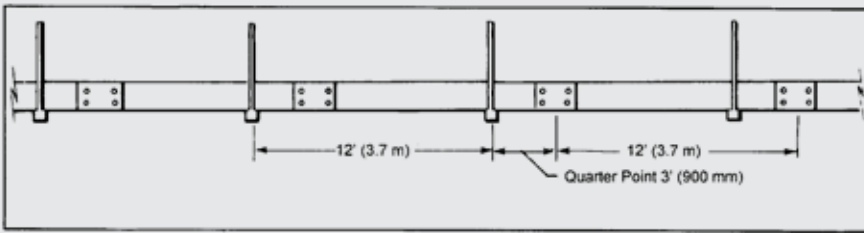


NEMA VE-2

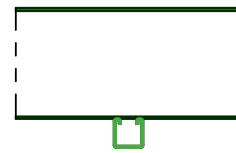
NEMA VE-2 and Reduced Fitting Support Method Best Practices

NEMA's VE-2 recommended support method is effective in supporting cable tray of all NEMA classes to their prescribed capacity. The NEMA standards do not require fittings to be tested or load bearing.

Atkore commissioned an independent, 3rd party Engineering lab to test alternate support methods on our heavy-duty NEMA 20C systems. The results reinforce that contractors can achieve significant material and labor savings by reducing the number of supports required and achieving NEMA loading capacities and safety factors.

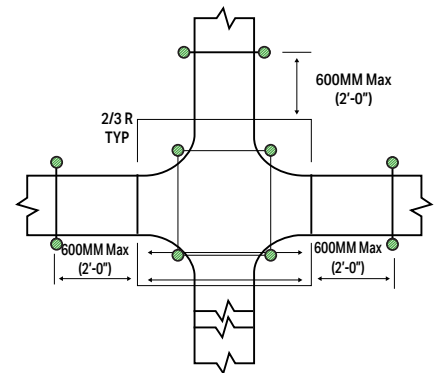
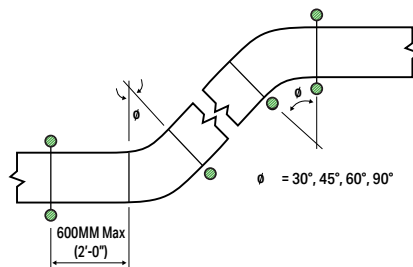
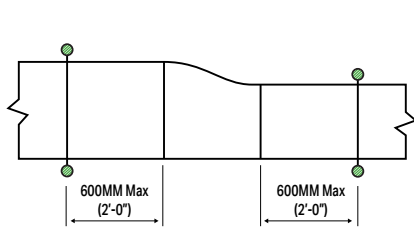


NOTE: NEMA recommended support methods function with Unistrut and Power-Strut Strut supports and I-Beam supports. This brochure utilizes Strut Support methods using Unistrut and Power-Strut supports.

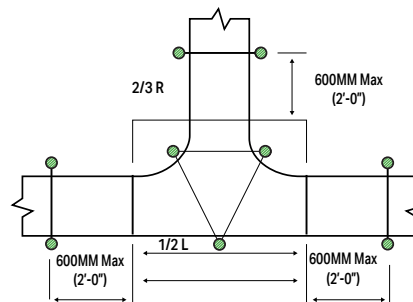
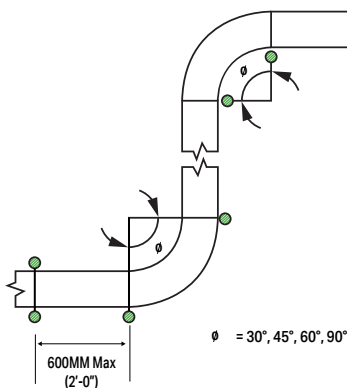


Strut Support Method

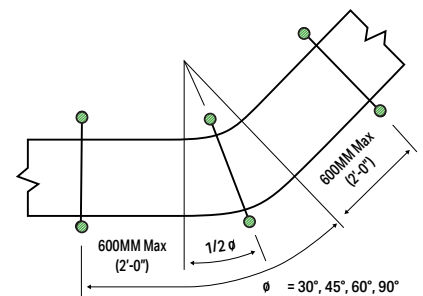
NEMA VE-2 Support Methods



Center Support Not Required on 12' Radius Fittings



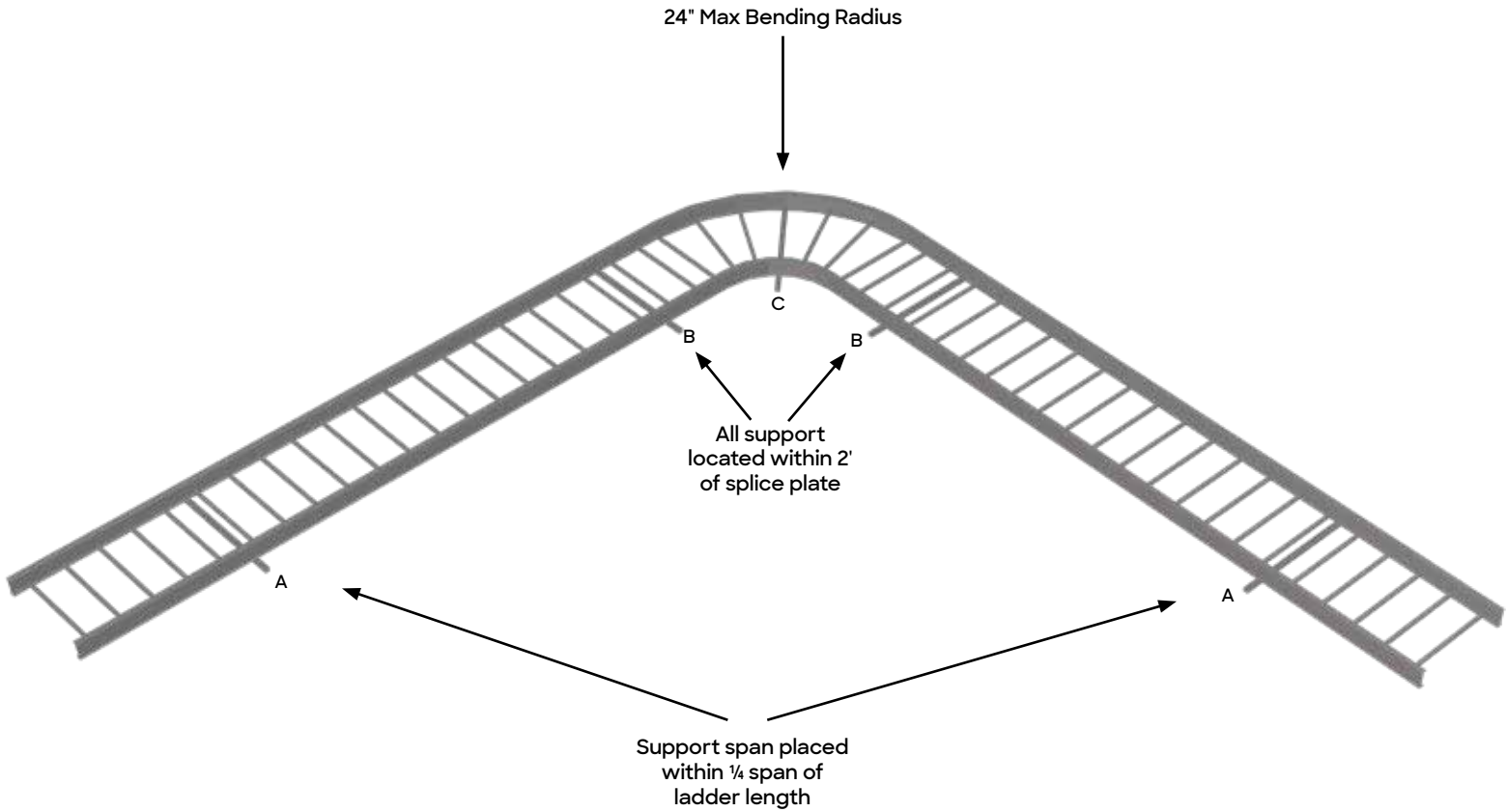
Center Support Not Required on 12' Radius Fittings



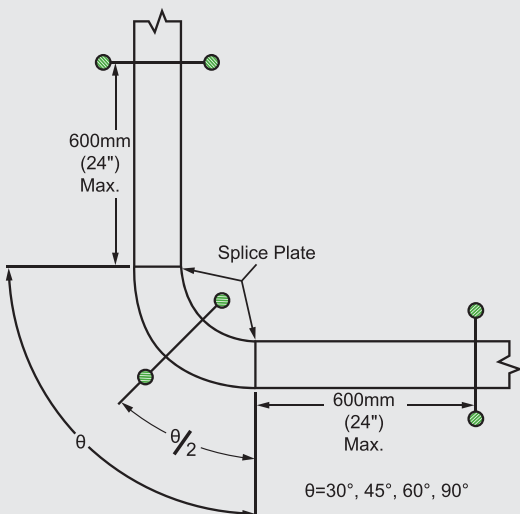
Center Support Not Required on 12' Radius Fittings

Horizontal Bend

Horizontal Bend Alternative Support Method

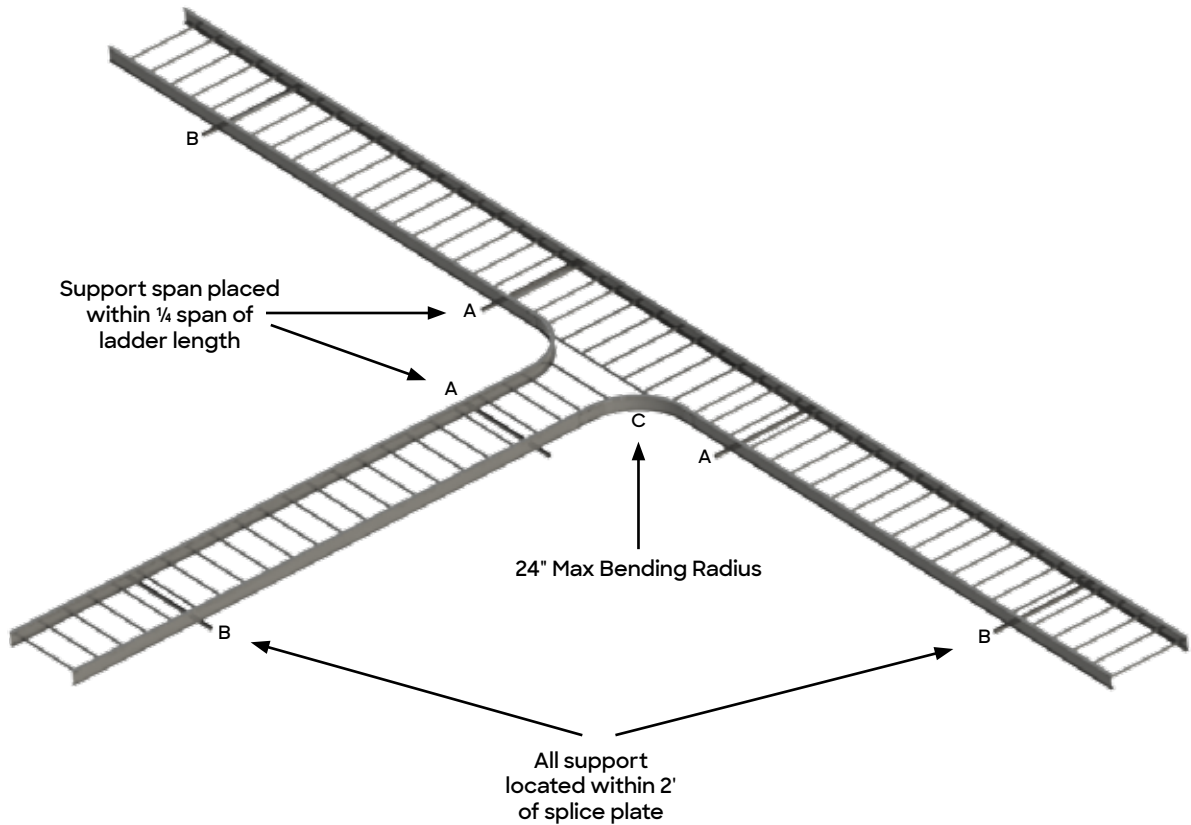


NEMA VE-2 Recommended Support Methods

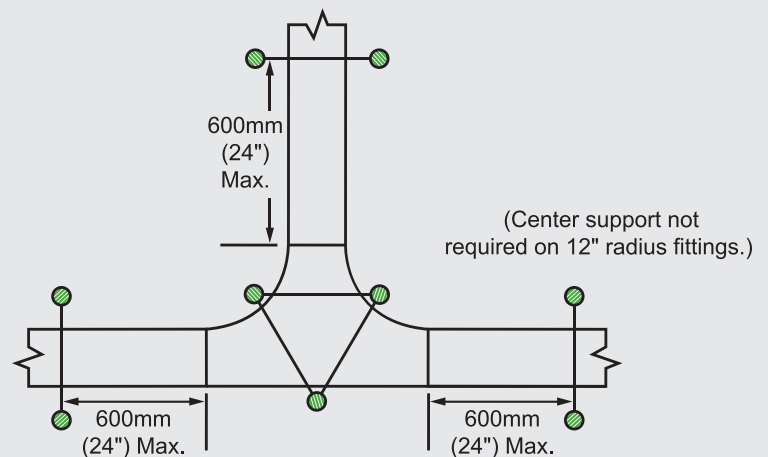


Horizontal Tee

Horizontal Tee Alternative Support Method

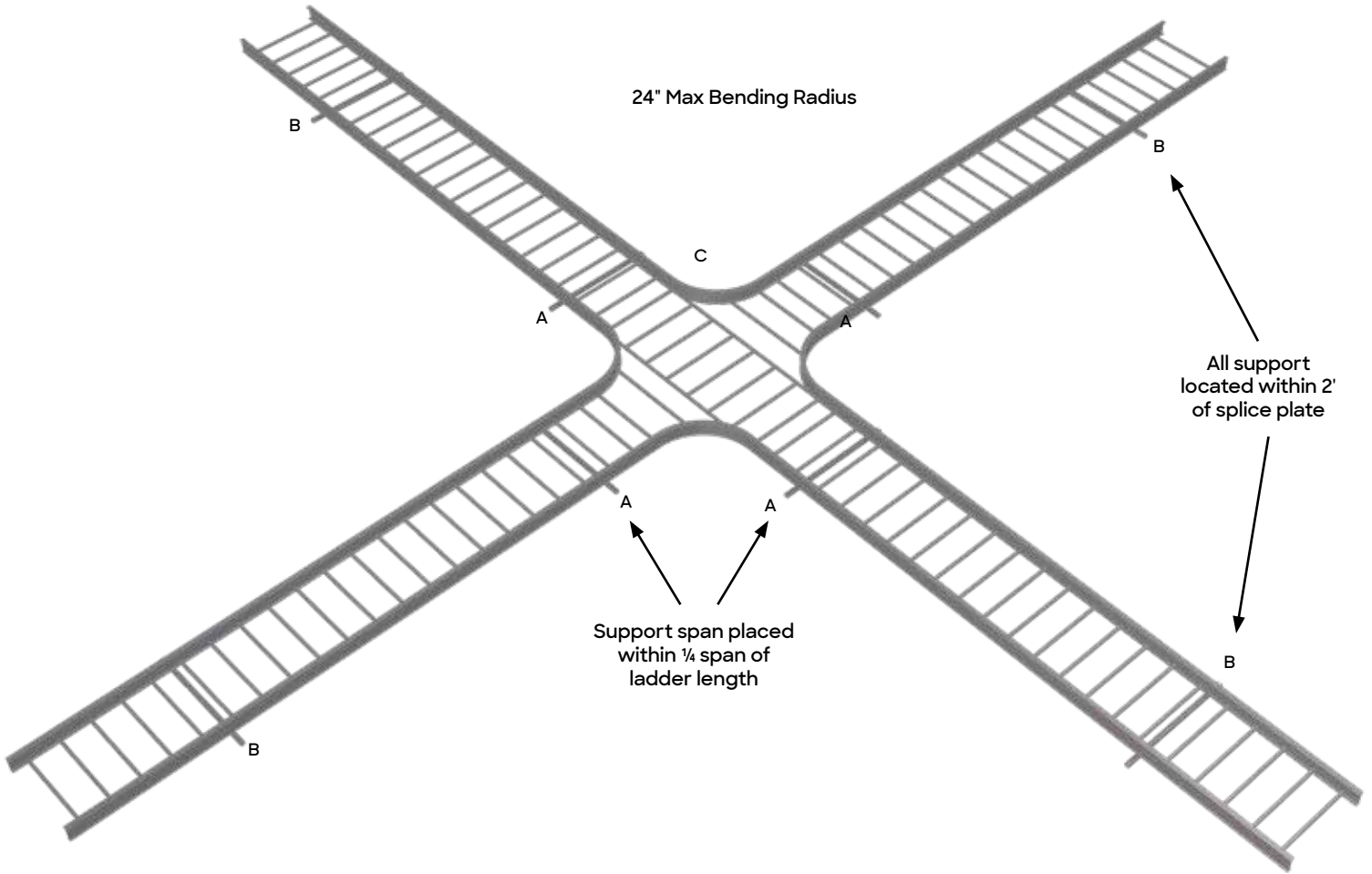


NEMA VE-2 Recommended Support Methods

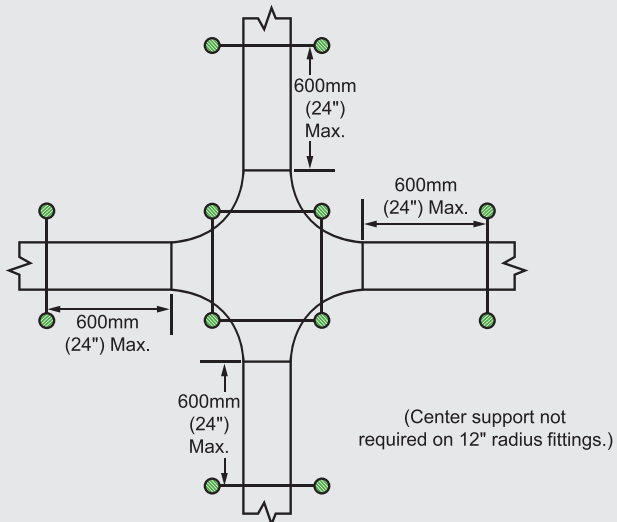


Horizontal Cross

Horizontal Cross Alternative Support Method

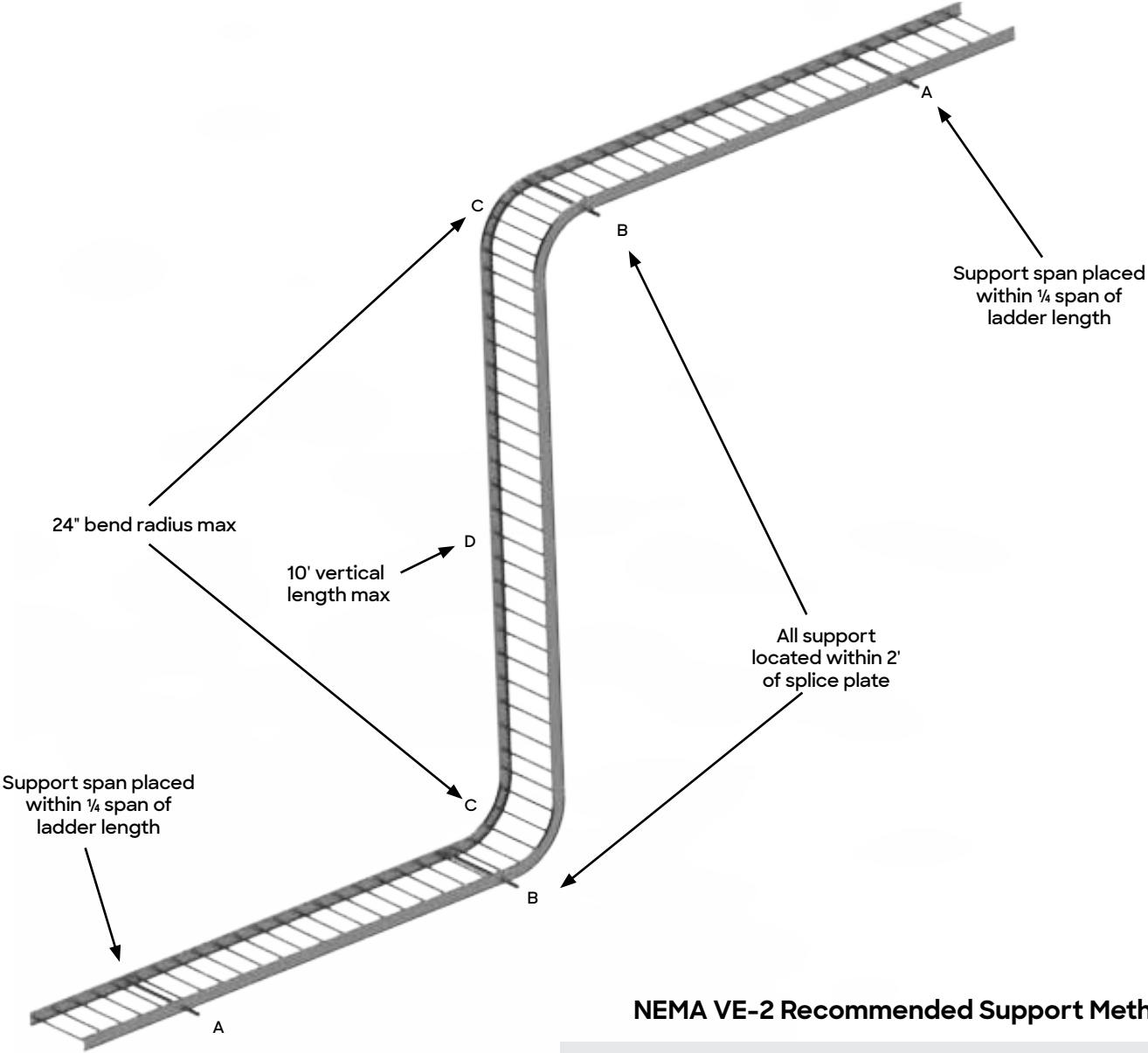


NEMA VE-2 Recommended Support Methods

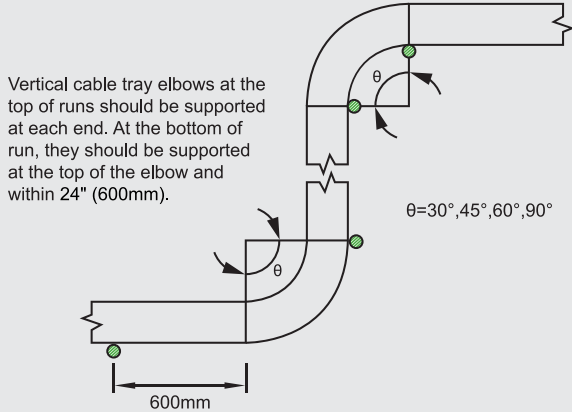


Vertical Inside & Outside Bend

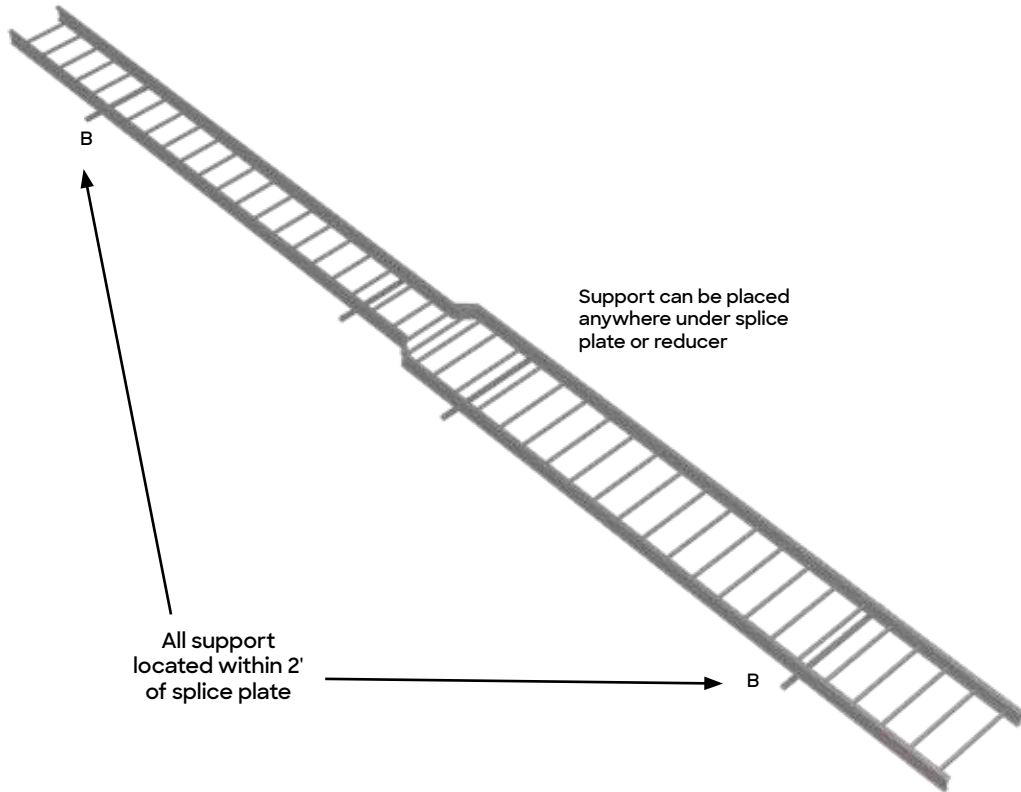
Vertical Inside & Outside Bend Alternative Support Method



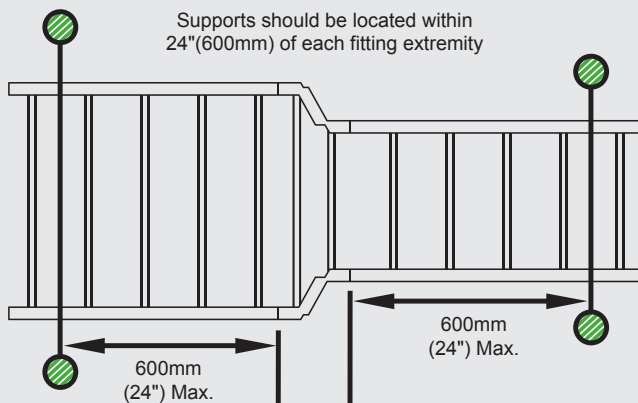
NEMA VE-2 Recommended Support Methods



Reducer Fitting Alternative Support Method

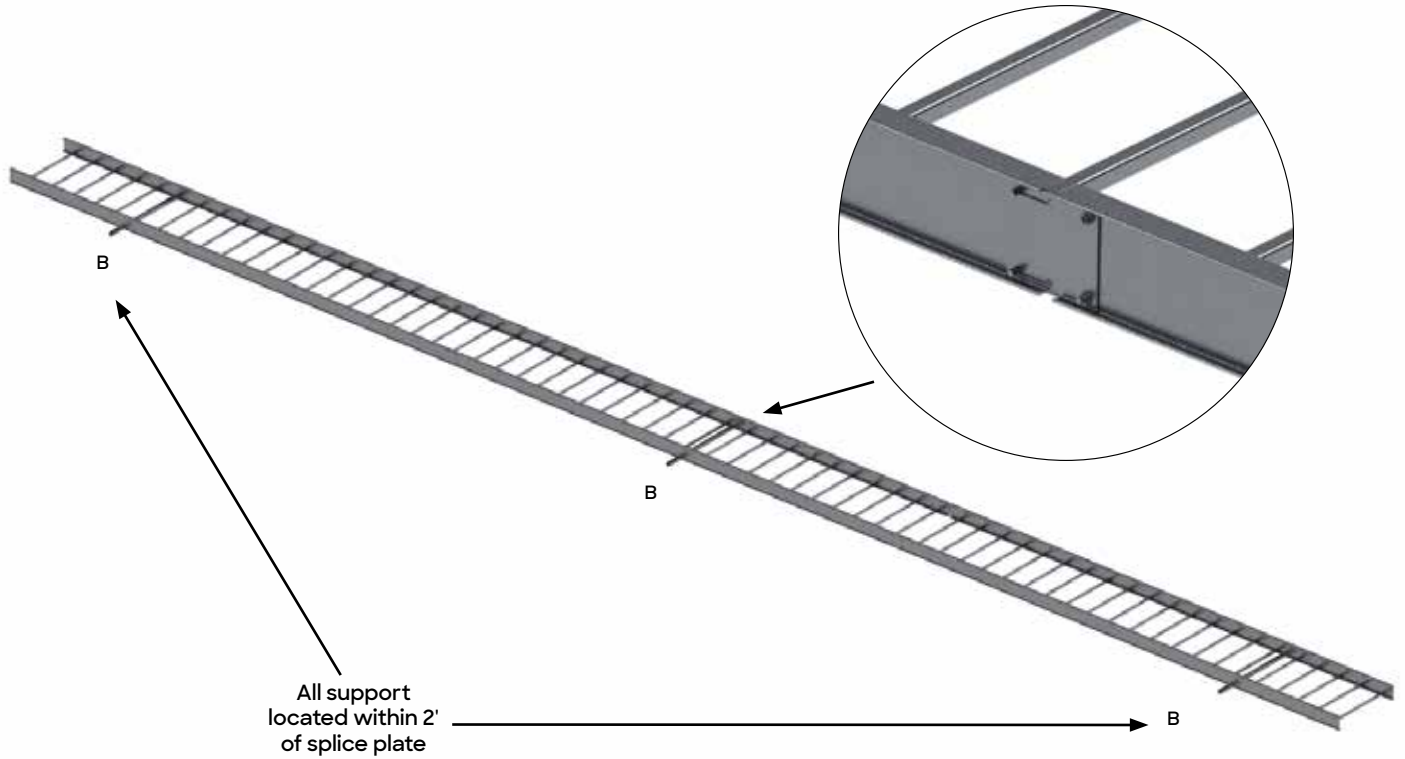


NEMA VE-2 Recommended Support Methods



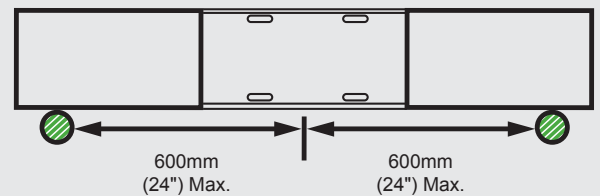
Expansion Splice

Expansion Splice Alternative Support Method



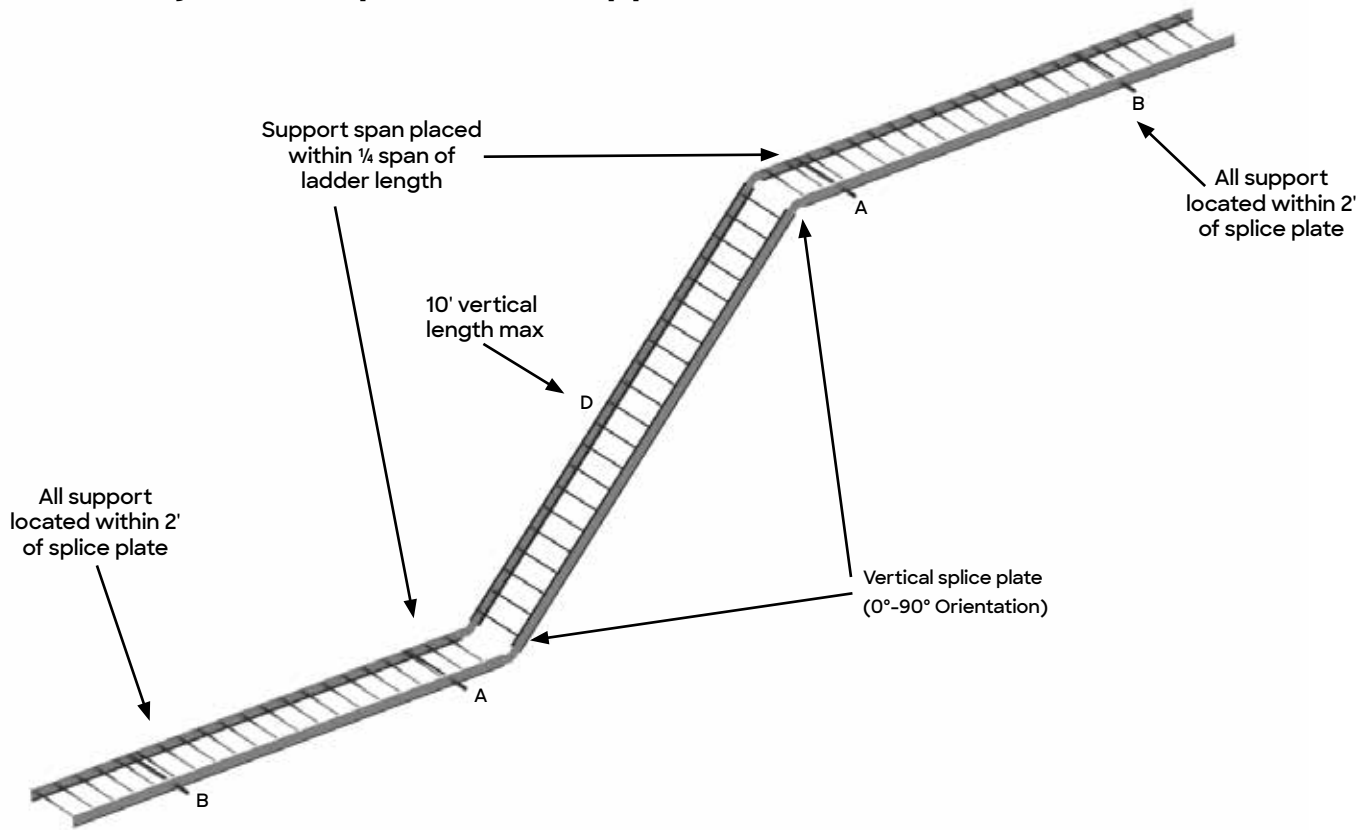
NEMA VE-2 Recommended Support Methods

Supports should be located within 24"(600mm) of each side of the expansion splice plates

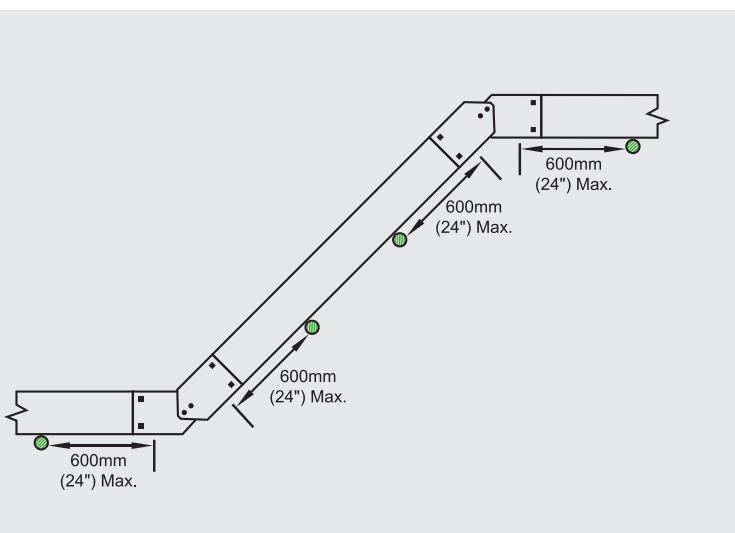


Vertical Adjustable Splice

Vertical Adjustable Splice Plate Support Method



NEMA VE-2 Recommended Support Methods





Free Take-Off Service

Our goal at Atkore is to provide an industry leading customer experience, offering unmatched information and services for all of our products.

Performing takeoffs can be time consuming for busy contractors, our free service does it for them. US Tray's free cable management Take-Off service saves contractors the time required to put together a Bill of Materials (BOM) for their projects by doing it for them.

Simply submit your cable tray / wire basket drawings and specifications to **marketing@atkore.com** and one of our dedicated technical product engineers will review and provide a complete BOM and quote within 48 hours!

Need It Sooner?

Special requests (BOM by drawing, floor, area)? Custom parts? We do all that!



Allied Tube & Conduit ▲ AFC Cable Systems ▲ Heritage Plastics ▲ Unistrut
Unistrut Construction ▲ Cope ▲ US Tray ▲ Calbrite ▲ Calbond ▲ Kaf-Tech
Columbia-MBF ▲ Eastern Wire + Conduit ▲ ACS/Uni-Fab ▲ Cii
Power-Strut ▲ Calconduit ▲ Razor Ribbon ▲ Calpipe Security
FRE Composites ▲ Vergokan ▲ Flexicon ▲ Marco

Atkore
16100 South Lathrop Avenue
Harvey, IL 60426

PHONE / 708-339-16100
TOLL FREE / 800-882-5543

atkore.com

Want to join a company that helps you build
the mindset, skill set and tool set for success?
Visit us at atkore.com/careers