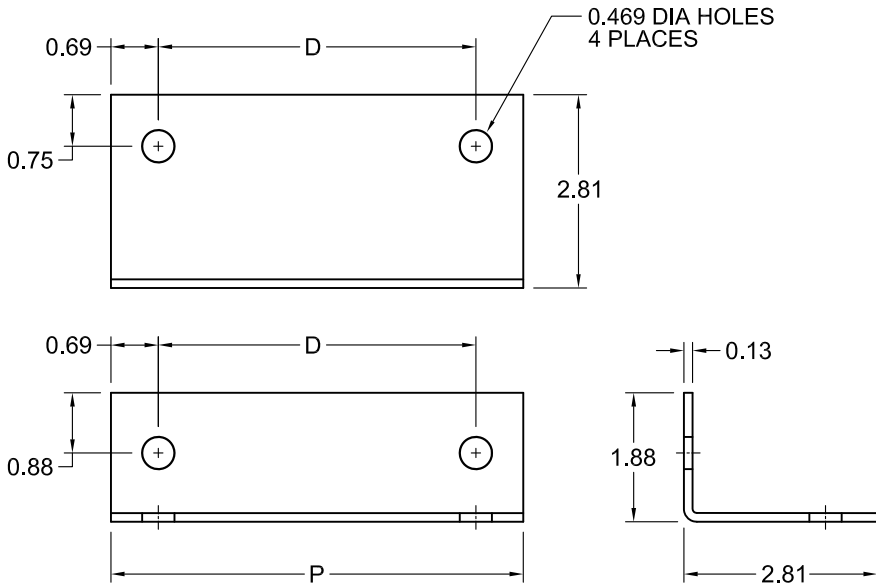
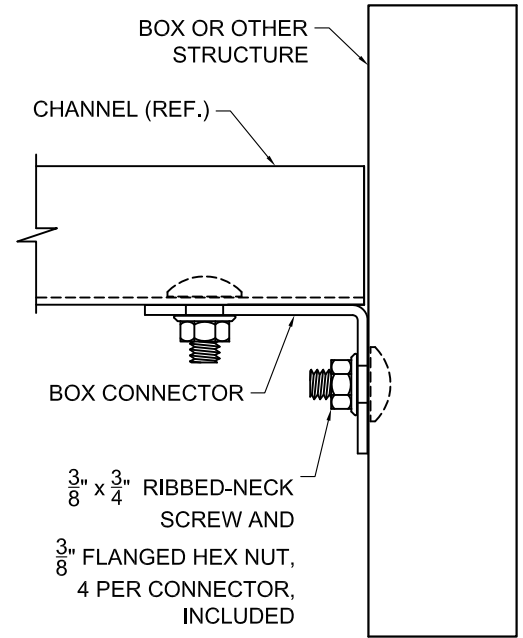




NO.	REVISION	BY	DATE	MATERIAL I.D.
0	APPROVED	TM	12-15-15	SPB



PART DETAIL



INSTALLATION SIDE VIEW

NOTES:

1. COMPLETE ASSEMBLY CONSISTS OF ONE PLATE WITH FASTENERS INDICATED.

2. BOX CONNECTORS SECURE THE ENDS OF CHANNELS TO FLAT SURFACES SUCH AS BOXES, PANELS, AND OTHER STRUCTURES.

⚡	CATALOG NUMBER	CHANNEL WIDTH		PLATE DIMENSIONS		PLATE QTY.
		W*	ACTUAL	P	D	
	SPB-AC3-(F*)4	3	3.00"	3.00"	1.62"	1
	SPB-AC4-(F*)4	4	4.00"	4.00"	2.62"	1
	SPB-AC6-(F*)4	6	6.00"	6.00"	4.62"	1

⚡	F*	FASTENER MATERIAL	INCLUDED FASTENERS	FASTENER CATALOG NO.	QTY.
	G	GEOMET-PLATED STEEL	3/8" x 3/4" RIBBED-NECK SCREW	F-RNS-38-34-G	2
			3/8" FLANGED HEX NUT	F-FHN-38-G	2
	S	TYPE 316 STAINLESS STEEL	3/8" x 3/4" RIBBED-NECK SCREW	F-RNS-38-34-S	2
			3/8" FLANGED HEX NUT	F-FHN-38-S	2

⚡ MARK "√" IN BOX TO INCLUDE IN SUBMITTAL



CABLE CHANNELS EMPLOYING THESE CONNECTORS ARE CLASSIFIED BY UNDERWRITERS LABORATORIES TO BE SUITABLE FOR USE AS EQUIPMENT GROUNDING CONDUCTORS. BONDING JUMPERS ARE NOT REQUIRED TO MAINTAIN GROUND PATH INTEGRITY. RESISTANCE ACROSS COUPLING IS LESS THAN 0.00033 OHMS. CERTIFIED BY U.L. TO MEET NEC. 392 AND NEMA STD. VE1, CSA-C22.2 NO. 126.1.

MATERIAL: 1/8" THICK ALUMINUM ALLOY 5052-H32

NOTE: ALL DIMENSIONS ARE SUBJECT TO THE MANUFACTURING TOLERANCE SPECIFICATIONS IN DOCUMENT USP-QA-05-02.

ATKORE

560 WHARTON CIRCLE, SUITE E ATLANTA, GA 30336 USA
 PHONE: 404-696-8585 FAX: 404-696-8599

SHEET NO. 1 OF 1

DIMENSIONS INCHES

DESCRIPTION
 BOX CONNECTOR PLATES FOR CHANNEL, ALUMINUM

CATALOG NUMBER	CATALOG NUMBER VARIABLES
SPB-AC(W*)-(F*)4	W* = CHANNEL WIDTH (3, 4, 6) F* = FASTENER MATERIAL (G OR S)