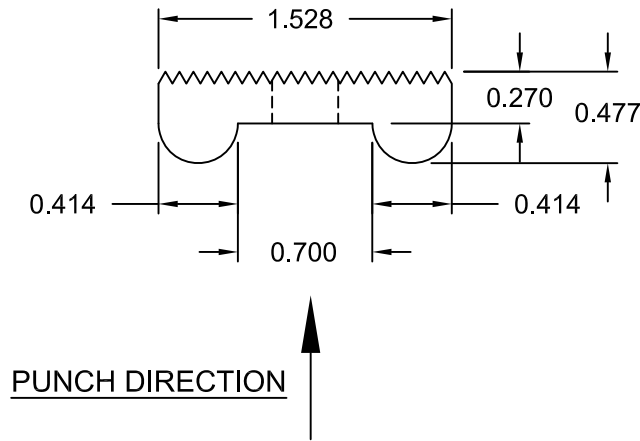
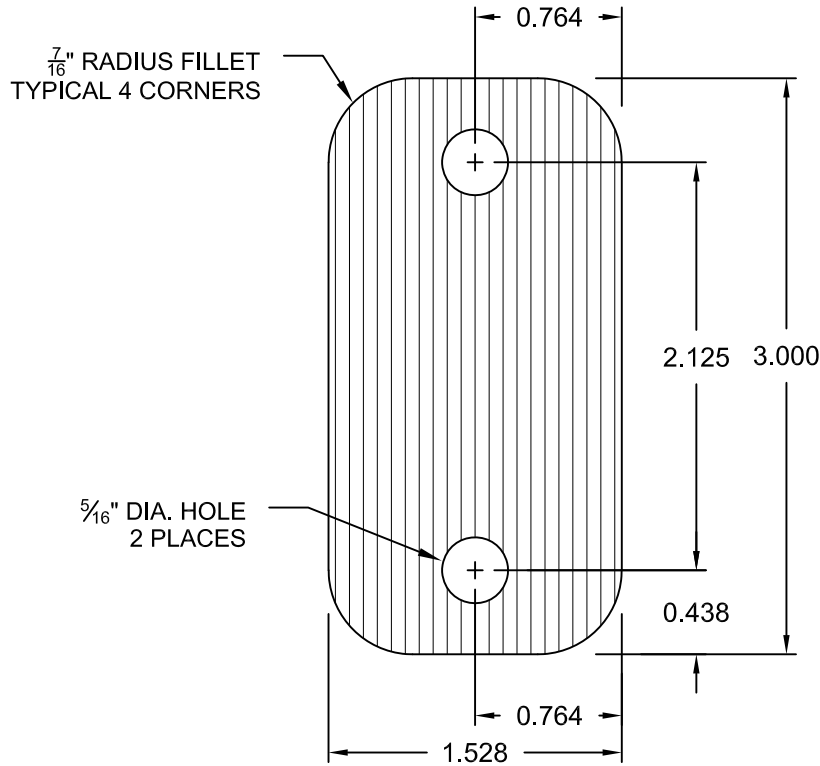




NO.	REVISION	BY	DATE	MATERIAL I.D.
0	APPROVED	TM	06-07-17	DHC
1	ADDED 7/16" FILLET TO EACH CORNER	TM	06-13-17	



NOTES:

1. THIS PART TO BE FABRICATED FROM ALUMINUM EXTRUSION DIE EXT-DV-700.

ATKORE		SHEET NO. 1 OF 1
560 WHARTON CIRCLE, SUITE E ATLANTA, GA 30336 USA		PHONE: 404-696-8585 FAX: 404-696-8599
DIMENSIONS INCHES		
DESCRIPTION CLAMP FOR HEAVY-DUTY DIVIDER HOLD-DOWN ASSEMBLY		
CATALOG NUMBER	CATALOG NUMBER VARIABLES	
DHC-CLAMP		

MATERIAL: EXTRUDED ALUMINUM ALLOY 6063-T6

NOTE: ALL DIMENSIONS ARE SUBJECT TO THE MANUFACTURING TOLERANCE SPECIFICATIONS IN DOCUMENT USP-QA-05-02.