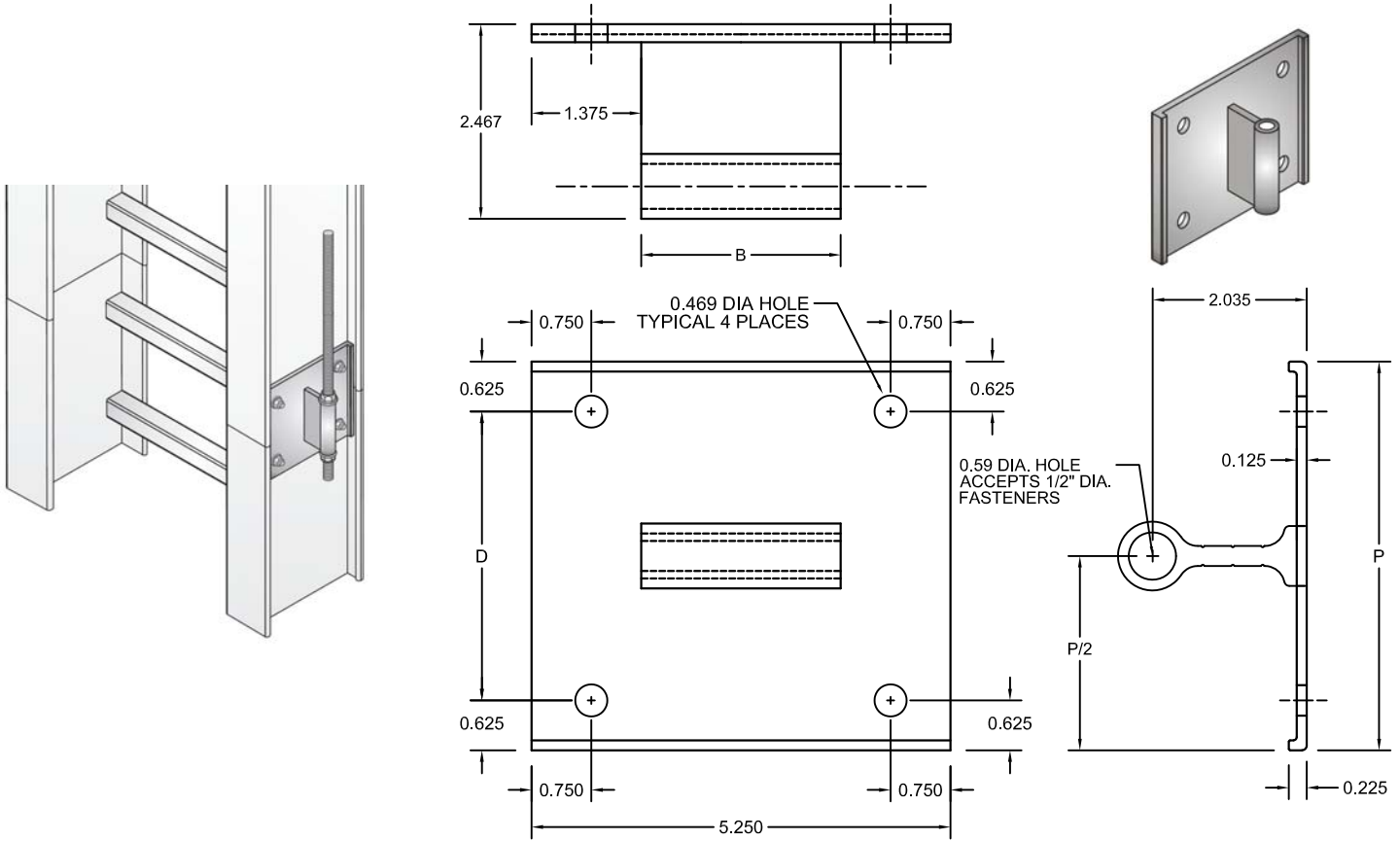




NO.	REVISION	BY	DATE	MATERIAL I.D.
0	APPROVED	TM	12-30-10	SVH
1	ADDED U.L. INFO, REV. LAYOUT	KD	12-05-17	



TRAY SIDE RAIL HEIGHT		CATALOG NUMBER	P	B	D	EXTRUSION PROFILE	PLATE QTY.	‡
H* (NOMINAL)	ACTUAL							
4	4.25"	SVH-A4-(F*)4	3.87"	2.5"	2.62"	EXT-SP-604	2	
5	5.25"	SVH-A5-(F*)4	4.87"	3.5"	3.62"	EXT-SP-605	2	
6	6.25"	SVH-A6-(F*)4	5.87"	3.5"	4.62"	EXT-SP-606	2	
7	7.25"	SVH-A7-(F*)4	6.87"	3.5"	5.62"	EXT-SP-607	2	

F*	FASTENER MATERIAL	INCLUDED FASTENERS	FASTENER CATALOG NO.	QTY.	‡
G	GEOMET-PLATED STEEL	3/8" x 3/4" RIBBED-NECK SCREW	F-RNS-38-34-G	8	
		3/8" FLANGED HEX NUT	F-FHN-38-G	8	
S	TYPE 316 STAINLESS STEEL	3/8" x 3/4" RIBBED-NECK SCREW	F-RNS-38-34-S	8	
		3/8" FLANGED HEX NUT	F-FHN-38-S	8	

‡ MARK "√" IN BOX TO INCLUDE IN SUBMITTAL

NOTES:

1. COMPLETE ASSEMBLY CONSISTS OF (2) PLATES WITH FASTENERS INDICATED.
2. THIS PART FUNCTIONS AS BOTH A STANDARD SPLICE PLATE CONNECTOR AND AS A METHOD TO SUPPORT THE CABLE TRAY SIDE RAIL WITH 1/2" DIA. THREADED RODS OR OTHER FASTENERS.

CLASSIFIED

 UL FILE E341872

CABLE TRAYS EMPLOYING THESE CONNECTORS ARE CLASSIFIED BY UNDERWRITERS LABORATORIES TO BE SUITABLE FOR USE AS EQUIPMENT GROUNDING CONDUCTORS. BONDING JUMPERS ARE NOT REQUIRED TO MAINTAIN GROUND PATH INTEGRITY. RESISTANCE ACROSS COUPLING IS LESS THAN 0.00033 OHMS. CERTIFIED BY U.L. TO MEET NEC. 392 AND NEMA STD. VE1, CSA-C22.2 NO. 126.1.

MATERIAL: EXTRUDED ALUMINUM 6063-T6

NOTE: ALL DIMENSIONS ARE SUBJECT TO THE MANUFACTURING TOLERANCE SPECIFICATIONS IN DOCUMENT USP-QA-05-02.

ATKORE

560 WHARTON CIRCLE, SUITE E ATLANTA, GA 30336 USA
 PHONE: 404-696-8585 FAX: 404-696-8599

SHEET NO.
 1 OF 1
 DIMENSIONS
 INCHES

DESCRIPTION

VERTICAL HANGER SPLICE - 4 HOLES

CATALOG NUMBER

SVH-A(H*)-(F*)4

CATALOG NUMBER VARIABLES

H* = NOMINAL TRAY SIDE RAIL HEIGHT IN INCHES (4, 5, 6, 7)
 F* = FASTENER MATERIAL (G OR S)