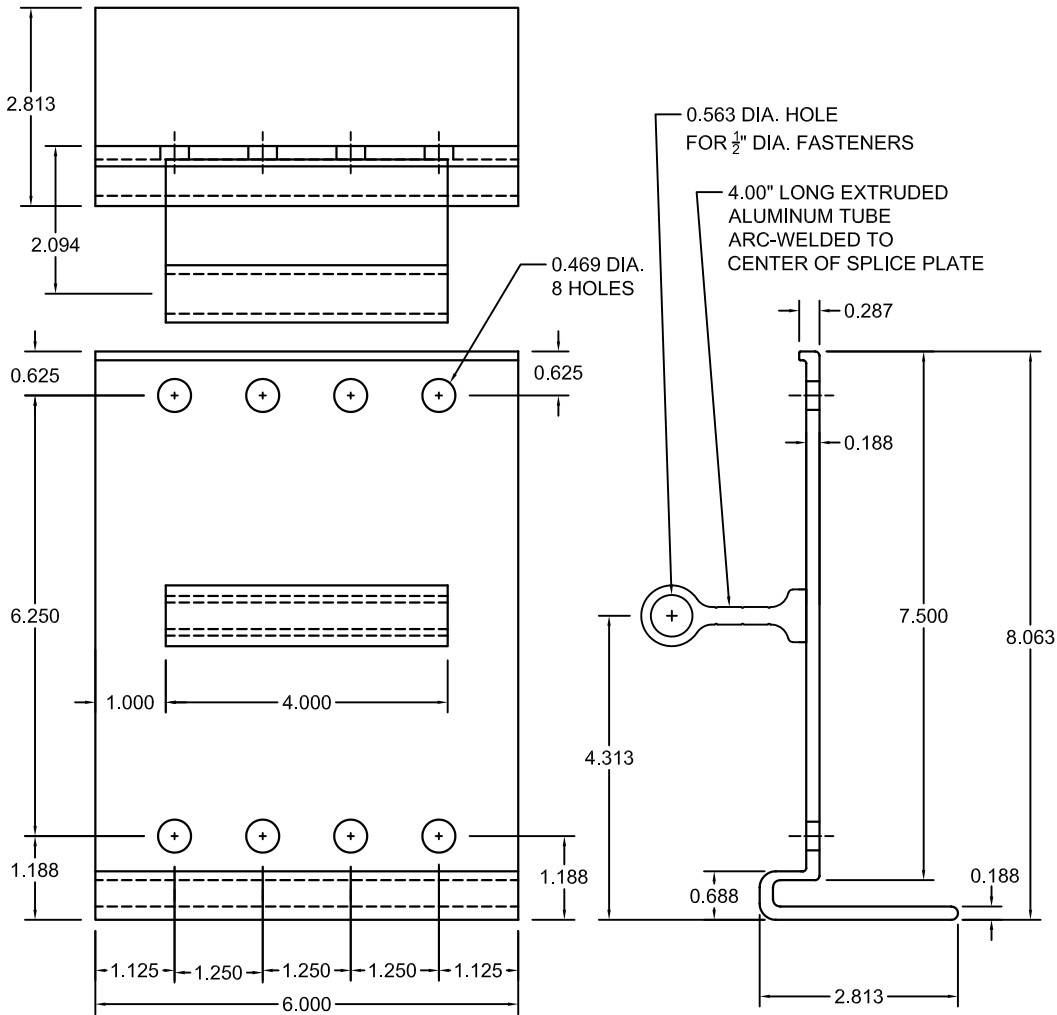




NO.	REVISION	BY	DATE	MATERIAL I.D.
0	APPROVED	TM	07-01-15	SVH-A8



**NOTES:**

1. COMPLETE ASSEMBLY CONSISTS OF (2) PLATES WITH FASTENERS INDICATED.
2. THESE PLATES HAVE A WELDED TUBE THAT ACCEPTS 1/2" DIA. THREADED RODS FOR SUPPORTING CABLE TRAY RUNNING VERTICALLY. THEY CAN BE ATTACHED TO ANY POINT OF THE TRAY SIDE RAIL AND CAN ALSO BE USED AS STANDARD SPLICE PLATE CONNECTORS.
3. INSTALL IN ACCORDANCE WITH NEMA STANDARD VE-2 CABLE TRAY INSTALLATION GUIDELINES.
4. THESE PLATES ARE DESIGNED FOR USE WITH CLASS 4 CABLE TRAY SYSTEM A820E.

⚡	F*	FASTENER MATERIAL	INCLUDED FASTENERS	FASTENER CATALOG NO.	QTY.
	G	GEOMET-PLATED STEEL	3/8" x 3/4" RIBBED-NECK SCREW	F-RNS-38-34-G	16
			3/8" FLANGED HEX NUT	F-FHN-38-G	16
	S	TYPE 316 STAINLESS STEEL	3/8" x 3/4" RIBBED-NECK SCREW	F-RNS-38-34-S	16
			3/8" FLANGED HEX NUT	F-FHN-38-S	16

⚡ MARK "✓" IN BOX TO INCLUDE IN SUBMITTAL

**CLASSIFIED**  
  
 UL FILE E341872

CABLE TRAYS EMPLOYING THESE CONNECTORS ARE CLASSIFIED BY UNDERWRITERS LABORATORIES TO BE SUITABLE FOR USE AS EQUIPMENT GROUNDING CONDUCTORS. BONDING JUMPERS ARE NOT REQUIRED TO MAINTAIN GROUND PATH INTEGRITY. RESISTANCE ACROSS COUPLING IS LESS THAN 0.00033 OHMS. CERTIFIED BY U.L. TO MEET NEC. 392 AND NEMA STD. VE1, CSA-C22.2 NO. 126.1.

**MATERIAL:** ALUMINUM ALLOY 6063-T6

NOTE: ALL DIMENSIONS ARE SUBJECT TO THE MANUFACTURING TOLERANCE SPECIFICATIONS IN DOCUMENT USP-QA-05-02.

**ATKORE**

560 WHARTON CIRCLE, SUITE E    PHONE: 404-696-8585  
 ATLANTA, GA 30336 USA    FAX: 404-696-8599

SHEET NO.  
1 OF 1

DIMENSIONS  
INCHES

**DESCRIPTION**  
VERTICAL HANGER SPLICE - 8" HIGH, CLASS 4 TRAYS

**CATALOG NUMBER**  
SVH-A8-(F\*)8

**CATALOG NUMBER VARIABLES**  
F\* = FASTENER MATERIAL (G OR S)