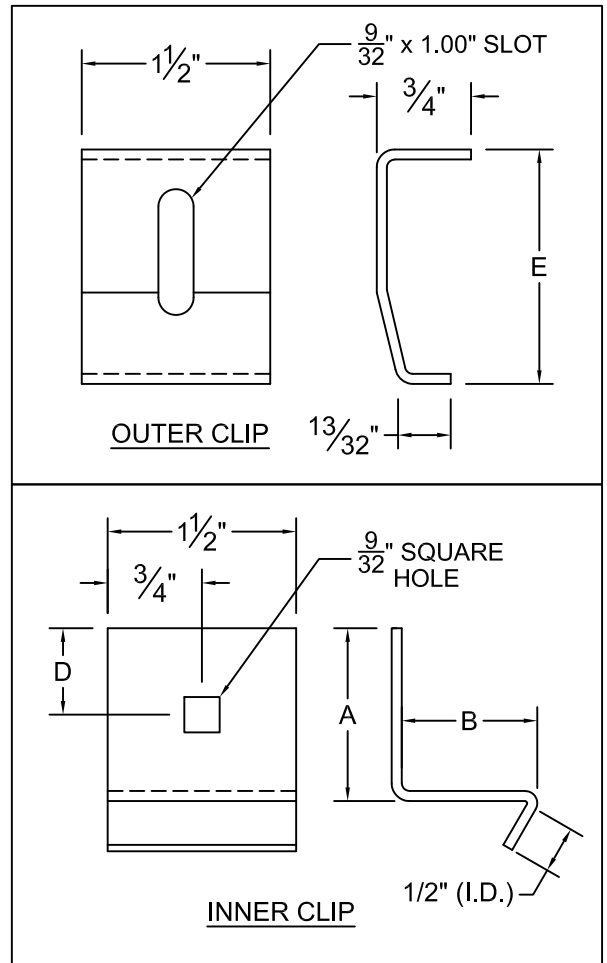
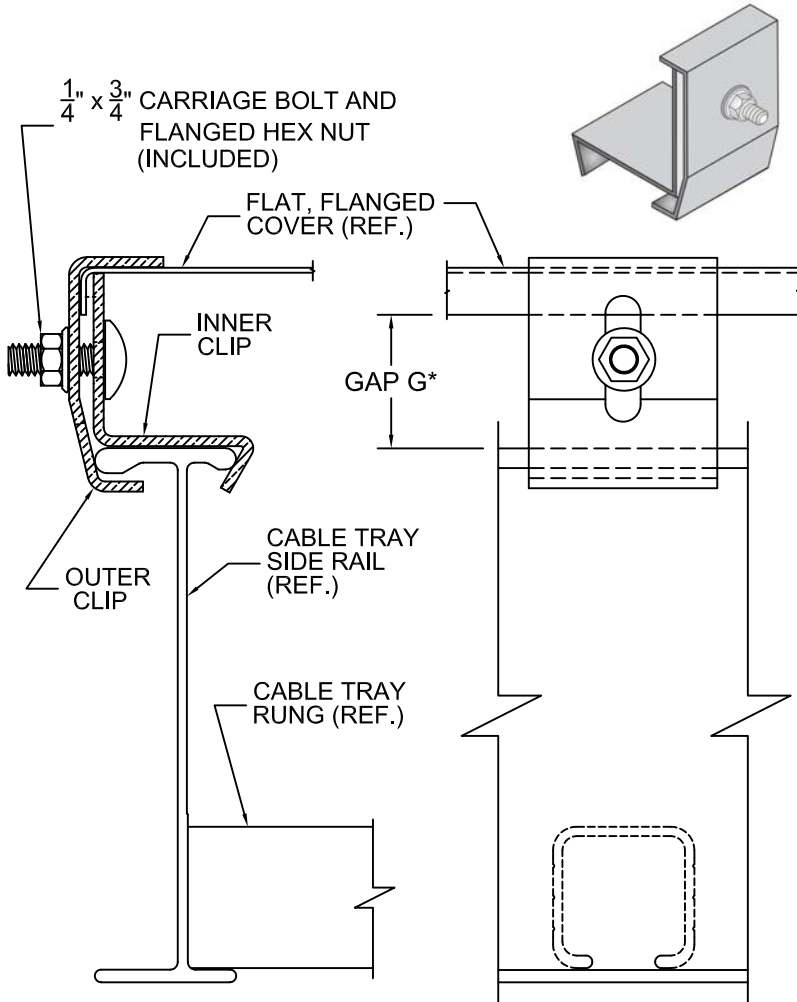


NO.	REVISION	BY	DATE	MATERIAL I.D.
0	APPROVED	TM	04-27-11	CCR



TRAY CLASS (C*)	TRAY SIDE RAIL FLANGE WIDTH	B	‡
1	1-1/8"	1-3/32"	
2	2"	2"	
3	2-3/8"	2-7/16"	

F*	FASTENER MATERIAL	INCLUDED FASTENERS	FASTENER CATALOG NO.	QTY.
S	TYPE 316 STAINLESS STEEL	1/4" x 3/4" CARRIAGE BOLT	F-SNC-14-75-S	1
		1/4" FLANGED HEX NUT	F-FHN-14-S	1

‡ MARK "√" IN BOX TO INCLUDE IN SUBMITTAL

G*	GAP	CATALOG NO.	A	D	E	‡
1	1.00"	CCR-A1-(C*)-(F*)	1-3/8"	11/16"	1-7/8"	
2	2.00"	CCR-A2-(C*)-(F*)	2-3/8"	1-3/16"	2-7/8"	
3	3.00"	CCR-A3-(C*)-(F*)	3-3/8"	1-11/16"	3-7/8"	
4	4.00"	CCR-A4-(C*)-(F*)	4-3/8"	2-3/16"	4-7/8"	

NOTES:

- COMPLETE ASSEMBLY CONSISTS OF (1) INNER CLIP, (1) OUTER CLIP AND FASTENERS INDICATED.
- THIS CLIP IS DESIGNED FOR USE ONLY WITH FLAT, FLANGED COVERS INSTALLED INDOORS AND MOUNTED HORIZONTALLY. THIS CLIP IS NOT FOR OUTDOOR USE OR WITH COVERS MOUNTED VERTICALLY.
- INSTALL ON 36" TO 48" CENTERS ON BOTH SIDE RAILS OF TRAYS AND FITTINGS.

MATERIAL: 0.080" ALUMINUM 5052-H32

NOTE: ALL DIMENSIONS ARE SUBJECT TO THE MANUFACTURING TOLERANCE SPECIFICATIONS IN DOCUMENT USP-QA-05-02.

ATKORE		SHEET NO. 1 OF 1
560 WHARTON CIRCLE, SUITE E ATLANTA, GA 30336 USA		PHONE: 404-696-8585 FAX: 404-696-8599
DIMENSIONS INCHES		
DESCRIPTION RAISED COVER CLIP		
CATALOG NUMBER CCR-A(G*)-(C*)S		CATALOG NUMBER VARIABLES G* = GAP IN INCHES (1, 2, 3, OR 4) C* = TRAY CLASS (1, 2, OR 3)