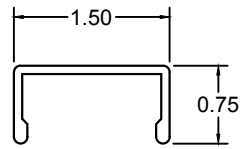
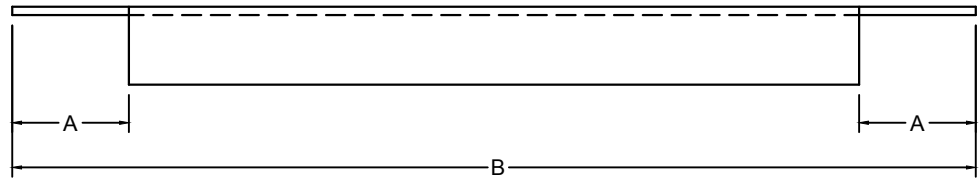




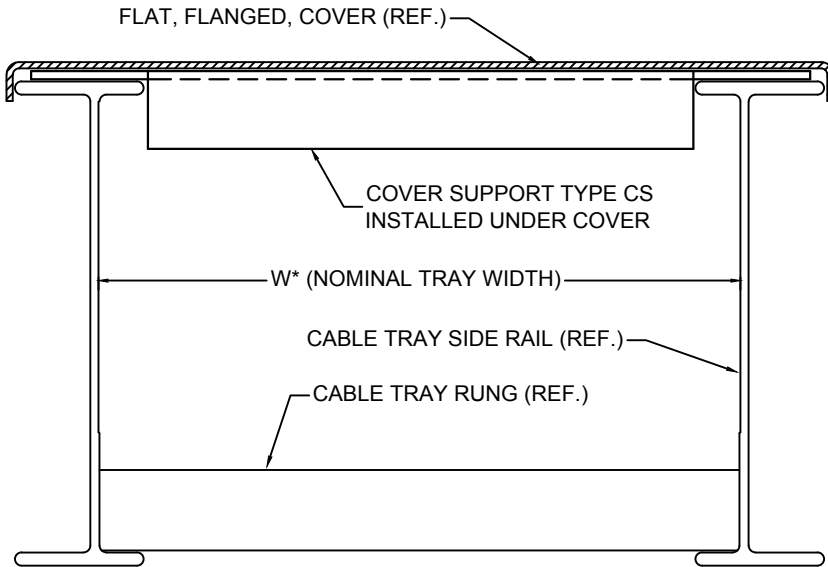
NO.	REVISION	BY	DATE	MATERIAL I.D.
0	APPROVED	TM	07-03-13	CS-A



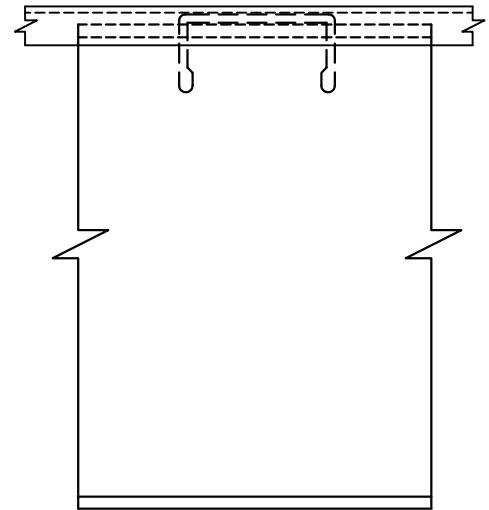
COVER SUPPORT
END VIEW &
CROSS-SECTION



COVER SUPPORT - SIDE VIEW



INSTALLATION
CROSS-SECTION THROUGH TRAY AND
COVER (END VIEW)



INSTALLATION
(SIDE VIEW)

NOTES:

1. COMPLETE ASSEMBLY CONSISTS OF ONE COVER SUPPORT CHANNEL ONLY.
2. THE PURPOSE OF THIS ITEM IS TO ALLEVIATE SAGGING AND PROVIDE ADDITIONAL SUPPORT FOR WIDE, THIN-GAGE COVERS OR COVERS THAT MAY BE SUBJECT TO HEAVY SNOW, ICE, DUST, OR OTHER ENVIRONMENTAL LOADS.
3. INSTALL BY LAYING COVER SUPPORT, WITH FLANGES FACING DOWN, ON TOP OF CABLE TRAY, BETWEEN SIDE RAILS. THEN INSTALL COVER ON TOP OF COVER SUPPORT.

TRAY WIDTH (W*)	B	‡
06	6"	7-1/4"
09	9"	10-1/4"
12	12"	13-1/4"
18	18"	19-1/4"
24	24"	25-1/4"
30	30"	31-1/4"
36	36"	37-1/4"
42	42"	43-1/4"
48	48"	49-1/4"

TRAY FITTING CLASS (C*)	CABLE TRAY TOP FLANGE WIDTH	A	‡
1	1-1/8"	1-1/8"	
2	2"	2"	
3	2-3/8"	2-3/8"	
4	2-3/4"	2-3/4"	

‡ MARK "√" IN BOX TO INCLUDE IN SUBMITTAL

MATERIAL: ALUMINUM ALLOY 6063-T6

NOTE: ALL DIMENSIONS ARE SUBJECT TO THE MANUFACTURING TOLERANCE SPECIFICATIONS IN DOCUMENT USP-QA-05-02.

ATKORE		SHEET NO. 1 OF 1
560 WHARTON CIRCLE, SUITE E ATLANTA, GA 30336 USA		PHONE: 404-696-8585 FAX: 404-696-8599
DIMENSIONS INCHES		
DESCRIPTION COVER SUPPORT, ALUMINUM		
CATALOG NUMBER CS-A-(C*)-(W*)		CATALOG NUMBER VARIABLES C* = CABLE TRAY CLASS (1, 2, 3, OR 4) W* = CABLE TRAY WIDTH, INCHES (6, 9, 12, 18, 24, 30, 36, 42, 48)