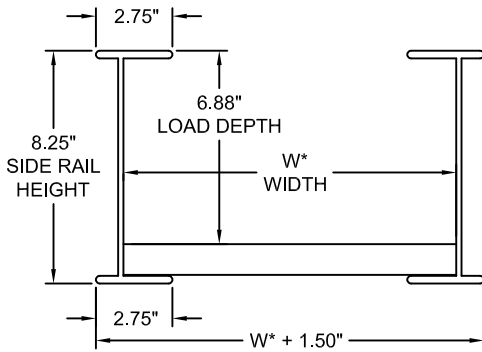
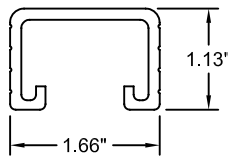
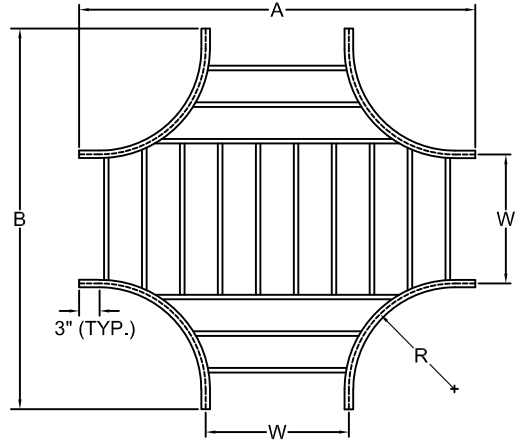




NO.	REVISION	BY	DATE	MATERIAL I.D.
0	APPROVED	TM	04-17-15	HC
1	UPDATED GRAPHICS & DATA TABLE	KD	09-14-17	



FITTING CROSS-SECTION



RUNG CROSS-SECTION

STRUT PROFILE ACCEPTS STANDARD CHANNEL NUTS

RUNGS IN FITTINGS ALTERNATE WITH SLOTS FACING UP AND DOWN

CATALOG NUMBERS ‡ MARK "✓" IN BOX TO INCLUDE IN SUBMITTAL

EXAMPLE: **A84 - 09 - HC24 - 12 - S**

MATERIAL		SIDE RAIL HEIGHT		LOAD DEPTH	FITTING CLASS	RUNG SPACING		FASTENER FINISH	
A	ALUMINUM	NOMINAL	ACTUAL	‡	‡	‡	‡	‡	‡
✓		8	8.25"	7"	4	06 6"		G	GEOMET PLATED STEEL
						09 9"		S	TYPE 316 STAINLESS STEEL
						12 12"			
						VT 5"			

INCLUDED ITEMS	CATALOG NO.*	QTY.
SPLICE PLATE, HEAVY-DUTY, 8 HOLES, 6" LONG SUPPLIED IN PAIRS	SPS-A8-(G OR S)8	3 PR.
RIBBED-NECK SCREW PHILLIPS RECESS 3/8" DIA. x 3/4" LONG	F-RNS-38-34-(G OR S)	48 EA.
FLANGED HEX NUT 3/8" DIA., SERRATED FACE 9/16" SOCKET SIZE	F-FHN-38-(G OR S)	48 EA.

SPLICE PLATES: NECESSARY SPLICE CONNECTORS AND FASTENERS ARE AUTOMATICALLY SUPPLIED WITH ALL TRAYS. SPLICE RESISTANCE IS LESS THAN 0.00033 OHMS. FASTENER FINISHES ARE GEOMET-PLATED STEEL (G) AND TYPE 316 STAINLESS STEEL (S).



CLASSIFIED BY UNDERWRITERS LABORATORIES AS TO ITS SUITABILITY AS AN EQUIPMENT GROUNDING CONDUCTOR ONLY PER NEC 392. METAL CABLE TRAY IN ACCORDANCE WITH THE STANDARD FOR CABLE TRAY SYSTEMS CAN/CSA-C22.2 NO. 126 (UL FILE NO. E341872)

MATERIAL: EXTRUDED ALUMINUM ALLOY 6063

FINISH: PLAIN

TRAY TYPE: LADDER, TWO RAILS

BOTTOM: 1.66" WIDE RUNGS (STRUT PROFILE WITH OPEN SLOT)

CONSTRUCTION: ARC-WELDED ON BOTH SIDES OF RUNGS

FITTING CLASS: 4 (8.25" x 2.75" I-BEAM SIDE RAILS)

TANGENTS: 3" (FLAT SIDE RAIL BEYOND CURVATURE)

THIS CABLE TRAY SYSTEM IS IN FULL COMPLIANCE WITH ALL ASPECTS OF THE LATEST REVISIONS OF NEMA STANDARD VE1, CSA C22.2 NO. 126 AND THE NATIONAL ELECTRIC CODE ARTICLE 392.

‡	ITEM CODE	RADIUS - WIDTH	FITTING DIMENSIONS (INCHES)			
			R	W	A	B
	HC12 - 12		12	12	42	42
	HC12 - 18		12	18	48	48
	HC12 - 24		12	24	54	54
	HC12 - 30		12	30	60	60
	HC12 - 36		12	36	66	66
	HC24 - 12		24	12	66	66
	HC24 - 18		24	18	72	72
	HC24 - 24		24	24	78	78
	HC24 - 30		24	30	84	84
	HC24 - 36		24	36	90	90
	HC36 - 12		36	12	90	90
	HC36 - 18		36	18	96	96
	HC36 - 24		36	24	102	102
	HC36 - 30		36	30	108	108
	HC36 - 36		36	36	114	114

ATKORE

560 WHARTON CIRCLE, SUITE E PHONE: 404-696-8585
 ATLANTA, GA 30336 USA FAX: 404-696-8599

DESCRIPTION
HORIZ. CROSS FITTING, LADDER & VENT. TROUGH CABLE TRAY, 8" HIGH, CLASS 4

DRAWING NUMBER
USP-A84-LA-HC

SHEET NO.
1 OF 1

DIMENSIONS
INCHES