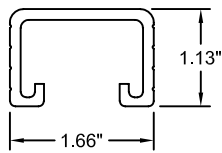
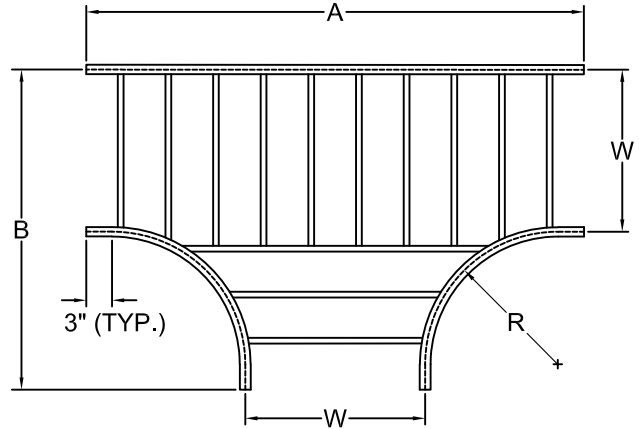
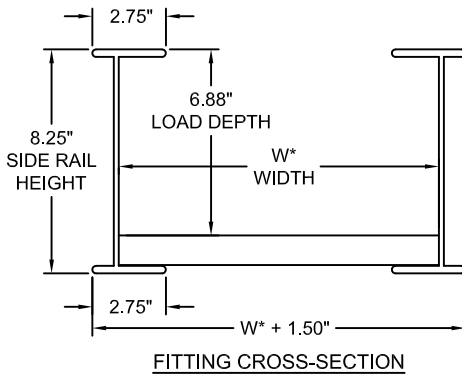




NO.	REVISION	BY	DATE	MATERIAL I.D.
0	APPROVED	TM	04-17-15	HT
1	UPDATED GRAPHICS & DATA TABLE	KD	09-14-17	



RUNG CROSS-SECTION  
STRUT PROFILE ACCEPTS  
STANDARD CHANNEL NUTS  
RUNGS IN FITTINGS ALTERNATE  
WITH SLOTS FACING UP AND DOWN

**CATALOG NUMBERS**

‡ MARK "√" IN BOX TO  
INCLUDE IN SUBMITTAL

**MATERIAL**  
A ALUMINUM

EXAMPLE: **A84 - 12 - HT24 - 12 - S**

SIDE RAIL HEIGHT		LOAD DEPTH	‡	FITTING CLASS	‡	RUNG SPACING		‡	FASTENER FINISH	‡
NOMINAL	ACTUAL									
8	8.25	7"		4	2.75" FLANGES	06	6"		G	GEOMET PLATED STEEL
						09	9"			
						12	12"		S	TYPE 316 STAINLESS STEEL
						VT	5"			

	INCLUDED ITEMS	CATALOG NO.*	QTY.
	SPLICE PLATE, HEAVY-DUTY, 8 HOLES, 6" LONG SUPPLIED IN PAIRS	SPS-A8-(G OR S)8	2 PR.
	RIBBED-NECK SCREW PHILLIPS RECESS 3/8" DIA. x 3/4" LONG	F-RNS-38-34-(G OR S)	32 EA.
	FLANGED HEX NUT 3/8" DIA., SERRATED FACE 9/16" SOCKET SIZE	F-FHN-38-(G OR S)	32 EA.

**SPLICE PLATES:** NECESSARY SPLICE CONNECTORS AND FASTENERS ARE AUTOMATICALLY SUPPLIED WITH ALL TRAYS. SPLICE RESISTANCE IS LESS THAN 0.00033 OHMS. FASTENER FINISHES ARE GEOMET-PLATED STEEL (G) AND TYPE 316 STAINLESS STEEL (S).

‡	ITEM CODE	RADIUS - WIDTH	FITTING DIMENSIONS (INCHES)			
			R	W	A	B
	HT12 - 12		12	12	42	27
	HT12 - 18		12	18	48	33
	HT12 - 24		12	24	54	39
	HT12 - 30		12	30	60	45
	HT12 - 36		12	36	66	51
	HT24 - 12		24	12	66	39
	HT24 - 18		24	18	72	45
	HT24 - 24		24	24	78	51
	HT24 - 30		24	30	84	57
	HT24 - 36		24	36	90	63
	HT36 - 12		36	12	90	51
	HT36 - 18		36	18	96	57
	HT36 - 24		36	24	102	63
	HT36 - 30		36	30	108	69
	HT36 - 36		36	36	114	75

**CLASSIFIED**  
 **UL** **US**

CLASSIFIED BY UNDERWRITERS LABORATORIES AS TO ITS SUITABILITY AS AN EQUIPMENT GROUNDING CONDUCTOR ONLY PER NEC 392. METAL CABLE TRAY IN ACCORDANCE WITH THE STANDARD FOR CABLE TRAY SYSTEMS CAN/CSA-C22.2 NO. 126 (UL FILE NO. E341872)

**MATERIAL:** EXTRUDED ALUMINUM ALLOY 6063

**FINISH:** PLAIN

**TRAY TYPE:** LADDER, TWO RAILS

**BOTTOM:** 1.66" WIDE RUNGS (STRUT PROFILE WITH OPEN SLOT)

**CONSTRUCTION:** ARC-WELDED ON BOTH SIDES OF RUNGS

**FITTING CLASS:** 4 (8.25" x 2.75" I-BEAM SIDE RAILS)

**TANGENTS:** 3" (FLAT SIDE RAIL BEYOND CURVATURE)

THIS CABLE TRAY SYSTEM IS IN FULL COMPLIANCE WITH ALL ASPECTS OF THE LATEST REVISIONS OF NEMA STANDARD VE1, CSA C22.2 NO. 126 AND THE NATIONAL ELECTRIC CODE ARTICLE 392.

**ATKORE**

560 WHARTON CIRCLE, SUITE E    PHONE: 404-696-8585  
ATLANTA, GA 30336 USA            FAX: 404-696-8599

**DESCRIPTION**  
HORIZ. TEE FITTING, LADDER & VENT. TROUGH CABLE TRAY, 8" HIGH, CLASS 4

**DRAWING NUMBER**  
USP-A84-LA-HT

**SHEET NO.**  
1 OF 1

**DIMENSIONS**  
INCHES