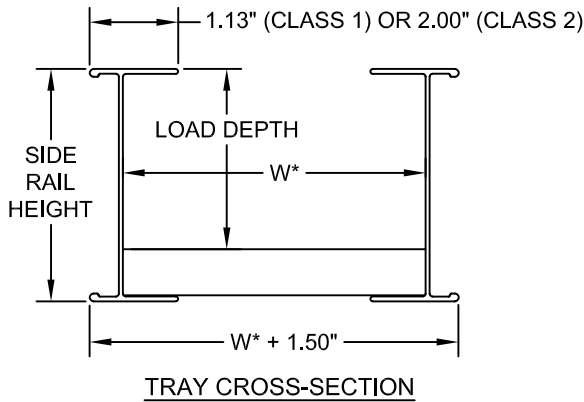
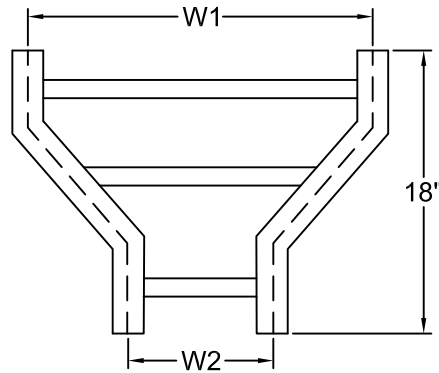




NO.	REVISION	BY	DATE	MATERIAL I.D.
0	APPROVED	TM	09-11-17	RS



CATALOG NUMBERS ‡ MARK "√" IN BOX TO INCLUDE IN SUBMITTAL

MATERIAL
A ALUMINUM

EXAMPLE: A62 - 09 - RS24 - 18 - G

SIDE RAIL HEIGHT NOMINAL	LOAD ACTUAL	DEPTH ‡	FITTING CLASS ‡	RUNG SPACING ‡		FASTENER FINISH ‡
4	4.25"	3"	1 1.13" FLANGES	06	6"	G GEOMET PLATED STEEL
5	5.25"	4"		09	9"	
6	6.25"	5"	2 2.00" FLANGES	12	12"	S TYPE 316 STAINLESS STEEL
7	7.25"	6"		VT	5"	

INCLUDED ITEMS	CATALOG NO.*	QTY.
SPLICE PLATE, STANDARD 4 HOLES, 5-1/4"L SUPPLIED IN PAIRS	SPS-A(H*)-(G OR S)	4 PR.
RIBBED-NECK SCREW PHILLIPS RECESS 3/8" DIA. x 3/4" LONG	F-RNS-38-34-(G OR S)	8 EA.
FLANGED HEX NUT 3/8" DIA., SERRATED FACE 9/16" SOCKET SIZE	F-FHN-38-(G OR S)	8 EA.

(H*) = NOMINAL SIDE RAIL HEIGHT (4, 5, 6, OR 7)

SPLICE PLATES: NECESSARY SPLICE CONNECTORS AND FASTENERS ARE AUTOMATICALLY SUPPLIED WITH ALL TRAYS. SPLICE RESISTANCE IS LESS THAN 0.00033 OHMS, FASTENER FINISHES ARE GEOMET-PLATED STEEL (G) AND TYPE 316 STAINLESS STEEL (S).



CLASSIFIED BY UNDERWRITERS LABORATORIES AS TO ITS SUITABILITY AS AN EQUIPMENT GROUNDING CONDUCTOR ONLY PER NEC 392. METAL CABLE TRAY IN ACCORDANCE WITH THE STANDARD FOR CABLE TRAY SYSTEMS CAN/CSA-C22.2 NO. 126 (UL FILE NO. E341872)

MATERIAL: EXTRUDED ALUMINUM ALLOY 6063

FINISH: PLAIN

TRAY TYPE: LADDER, TWO RAILS

BOTTOM: 1.13" WIDE RUNGS (TUBULAR WITH OPEN SLOT)

CONSTRUCTION: ARC-WELDED ON BOTH SIDES OF RUNGS

FITTING CLASS: 1 (1.13" FLANGES) OR 2 (2.00" FLANGES)

TANGENTS: 3" (FLAT SIDE RAIL BEYOND CURVATURE)

THIS CABLE TRAY SYSTEM IS IN FULL COMPLIANCE WITH ALL ASPECTS OF THE LATEST REVISIONS OF NEMA STANDARD VE1, CSA C22.2 NO. 126 AND THE NATIONAL ELECTRIC CODE ARTICLE 392.

‡	ITEM CODE - W1 - W2	FITTING DIMENSIONS (INCHES)	
		W1	W2
	RS09 - 06	9	6
	RS12 - 06	12	6
	RS12 - 09	12	9
	RS18 - 06	18	6
	RS18 - 09	18	9
	RS18 - 12	18	12
	RS24 - 06	24	6
	RS24 - 09	24	9
	RS24 - 12	24	12
	RS24 - 18	24	18
	RS30 - 06	30	6
	RS30 - 09	30	9
	RS30 - 12	30	12
	RS30 - 18	30	18
	RS30 - 24	30	24
	RS36 - 06	36	6
	RS36 - 09	36	9
	RS36 - 12	36	12
	RS36 - 18	36	18
	RS36 - 24	36	24
	RS36 - 30	36	30

ATKORE

560 WHARTON CIRCLE, SUITE E PHONE: 404-696-8585
ATLANTA, GA 30336 USA FAX: 404-696-8599

SHEET NO.
1 OF 1

DIMENSIONS
INCHES

DESCRIPTION

STRAIGHT REDUCER FITTING, LADDER & VENT. TROUGH CABLE TRAY, CLASS 1 & 2

DRAWING NUMBER

USP-RS-LA-1-2