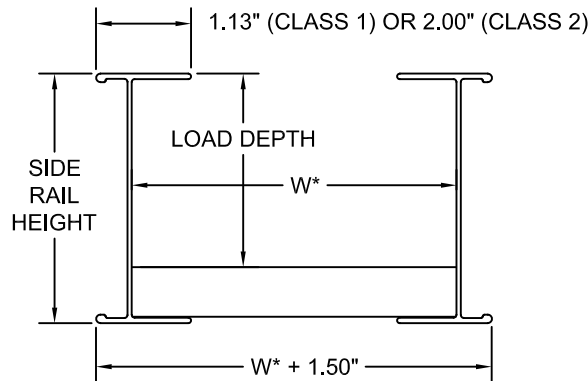
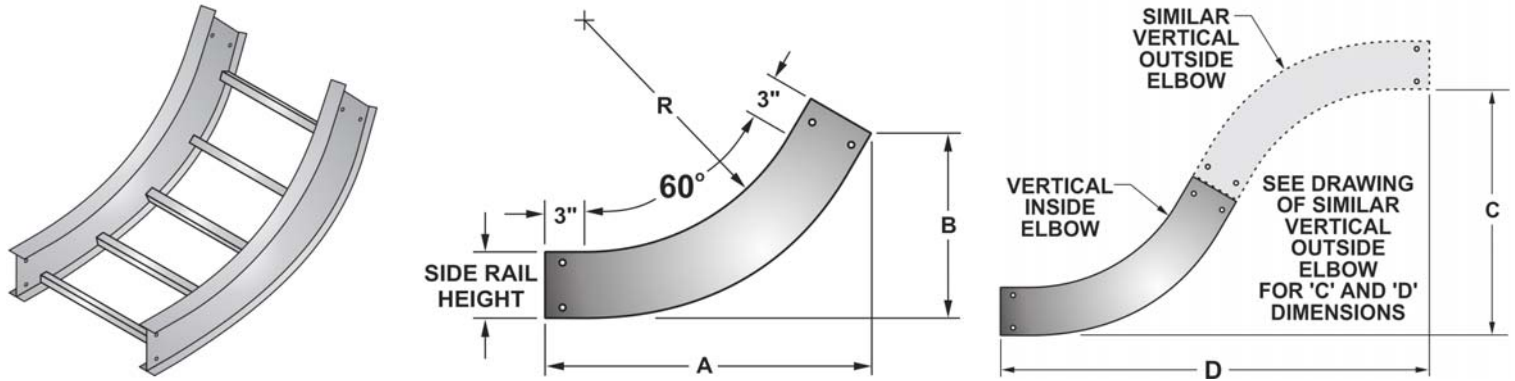




NO.	REVISION	BY	DATE	MATERIAL I.D.
0	APPROVED	TM	09-11-17	60VI



TRAY CROSS-SECTION

CATALOG NUMBERS ‡ MARK "1/4" IN BOX TO INCLUDE IN SUBMITTAL

EXAMPLE: **A62 - 09 - 60VI24 - 12 - G**

MATERIAL		LOAD DEPTH ‡		FITTING CLASS ‡		RUNG SPACING ‡		FASTENER FINISH ‡	
NOMINAL	ACTUAL								
A	ALUMINUM	4	4.25"	1	1.13" FLANGES	06	6"	G	GEOMET PLATED STEEL
		5	5.25"	2	2.00" FLANGES	09	9"	S	TYPE 316 STAINLESS STEEL
		6	6.25"			12	12"		
		7	7.25"			VT	5"		

INCLUDED ITEMS	CATALOG NO.*	QTY.
SPLICE PLATE, STANDARD 4 HOLES, 5-1/4"L SUPPLIED IN PAIRS	SPS-A(H*)-(G OR S)4	1 PR.
RIBBED-NECK SCREW PHILLIPS RECESS 3/8" DIA. x 3/4" LONG	F-RNS-38-34-(G OR S)	8 EA.
FLANGED HEX NUT 3/8" DIA., SERRATED FACE 9/16" SOCKET SIZE	F-FHN-38-(G OR S)	8 EA.

(H*) = NOMINAL SIDE RAIL HEIGHT (4, 5, 6, OR 7)

SPLICE PLATES: NECESSARY SPLICE CONNECTORS AND FASTENERS ARE AUTOMATICALLY SUPPLIED WITH ALL TRAYS. SPLICE RESISTANCE IS LESS THAN 0.00033 OHMS. FASTENER FINISHES ARE GEOMET-PLATED STEEL (G) AND TYPE 316 STAINLESS STEEL (S).



CLASSIFIED BY UNDERWRITERS LABORATORIES AS TO ITS SUITABILITY AS AN EQUIPMENT GROUNDING CONDUCTOR ONLY PER NEC 392. METAL CABLE TRAY IN ACCORDANCE WITH THE STANDARD FOR CABLE TRAY SYSTEMS CAN/CSA-C22.2 NO. 126 (UL FILE NO. E341872)

MATERIAL: EXTRUDED ALUMINUM ALLOY 6063
FINISH: PLAIN
TRAY TYPE: LADDER, TWO RAILS
BOTTOM: 1.13" WIDE RUNGS (TUBULAR WITH OPEN SLOT)
CONSTRUCTION: ARC-WELDED ON BOTH SIDES OF RUNGS
FITTING CLASS: 1 (1.13" FLANGES) OR 2 (2.00" FLANGES)
TANGENTS: 3" (FLAT SIDE RAIL BEYOND CURVATURE)

THIS CABLE TRAY SYSTEM IS IN FULL COMPLIANCE WITH ALL ASPECTS OF THE LATEST REVISIONS OF NEMA STANDARD VE1, CSA C22.2 NO. 126 AND THE NATIONAL ELECTRIC CODE ARTICLE 392.

‡	ITEM CODE	FITTING DIMENSIONS (INCHES)									
		R	W	H* = 4"		H* = 5"		H* = 6"		H* = 7"	
				A	B	A	B	A	B	A	B
60VI12 - 06	12	6	18-5/8	10-3/4	19-1/2	11-1/4	20-1/4	11-3/4	21-1/8	12-1/4	
60VI12 - 09	12	9	18-5/8	10-3/4	19-1/2	11-1/4	20-1/4	11-3/4	21-1/8	12-1/4	
60VI12 - 12	12	12	18-5/8	10-3/4	19-1/2	11-1/4	20-1/4	11-3/4	21-1/8	12-1/4	
60VI12 - 18	12	18	18-5/8	10-3/4	19-1/2	11-1/4	20-1/4	11-3/4	21-1/8	12-1/4	
60VI12 - 24	12	24	18-5/8	10-3/4	19-1/2	11-1/4	20-1/4	11-3/4	21-1/8	12-1/4	
60VI12 - 30	12	30	18-5/8	10-3/4	19-1/2	11-1/4	20-1/4	11-3/4	21-1/8	12-1/4	
60VI12 - 36	12	36	18-5/8	10-3/4	19-1/2	11-1/4	20-1/4	11-3/4	21-1/8	12-1/4	
60VI24 - 06	24	6	29	16-3/4	29-7/8	17-1/4	30-3/4	17-3/4	31-5/8	18-1/4	
60VI24 - 09	24	9	29	16-3/4	29-7/8	17-1/4	30-3/4	17-3/4	31-5/8	18-1/4	
60VI24 - 12	24	12	29	16-3/4	29-7/8	17-1/4	30-3/4	17-3/4	31-5/8	18-1/4	
60VI24 - 18	24	18	29	16-3/4	29-7/8	17-1/4	30-3/4	17-3/4	31-5/8	18-1/4	
60VI24 - 24	24	24	29	16-3/4	29-7/8	17-1/4	30-3/4	17-3/4	31-5/8	18-1/4	
60VI24 - 30	24	30	29	16-3/4	29-7/8	17-1/4	30-3/4	17-3/4	31-5/8	18-1/4	
60VI24 - 36	24	36	29	16-3/4	29-7/8	17-1/4	30-3/4	17-3/4	31-5/8	18-1/4	
60VI36 - 06	36	6	39-3/8	22-3/4	40-1/4	23-1/4	41-1/8	23-3/4	42	24-1/4	
60VI36 - 09	36	9	39-3/8	22-3/4	40-1/4	23-1/4	41-1/8	23-3/4	42	24-1/4	
60VI36 - 12	36	12	39-3/8	22-3/4	40-1/4	23-1/4	41-1/8	23-3/4	42	24-1/4	
60VI36 - 18	36	18	39-3/8	22-3/4	40-1/4	23-1/4	41-1/8	23-3/4	42	24-1/4	
60VI36 - 24	36	24	39-3/8	22-3/4	40-1/4	23-1/4	41-1/8	23-3/4	42	24-1/4	
60VI36 - 30	36	30	39-3/8	22-3/4	40-1/4	23-1/4	41-1/8	23-3/4	42	24-1/4	
60VI36 - 36	36	36	39-3/8	22-3/4	40-1/4	23-1/4	41-1/8	23-3/4	42	24-1/4	

<p align="center">ATKORE</p> <p>560 WHARTON CIRCLE, SUITE E PHONE: 404-696-8585 ATLANTA, GA 30336 USA FAX: 404-696-8599</p>	<p align="center">SHEET NO. 1 OF 1</p>
	<p align="center">DIMENSIONS INCHES</p>
<p>DESCRIPTION 60° VERTICAL INSIDE ELBOW, LADDER & VENT. TROUGH CABLE TRAY, CLASS 1 & 2</p>	
<p>DRAWING NUMBER USP-60VI-LA-1-2</p>	